

Honeywell

Installation Instructions

HumidiPRO H6062
Digital Humidity Control

When Installing this Product

Read these instructions carefully, failure to follow them could damage the product and cause a hazardous situation.

Check the ratings given in the instructions and on the product to make sure the product is suitable for your application

Installer must be a trained, experienced service technician.

After installation is complete, check out product operation as provided in these instructions.

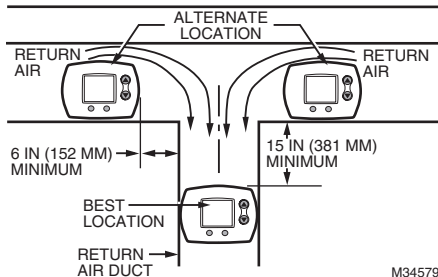
Cautions

Electrical shock or equipment damage may occur.

Disconnect power supply before beginning installation.

Duct Installation (recommended) OR Remote Mount Installation

1. Choose a location on the **RETURN** duct.

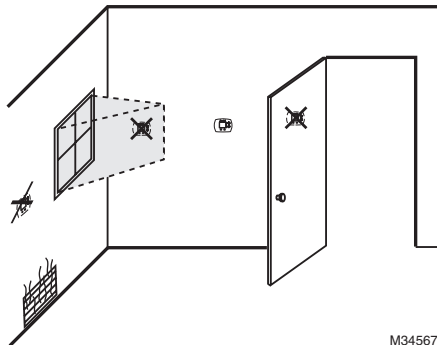


M34579

Warning: Product must be mounted on the RETURN side of the duct for proper RH% sensing.

1. Choose a location in the living area.

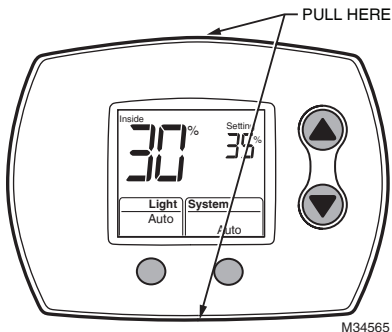
NOTE: Select a location clear of drafts or excessive humidity. Avoid mounting near doors or windows, or in bathrooms or kitchens.



M34567

Duct-Mount Installation

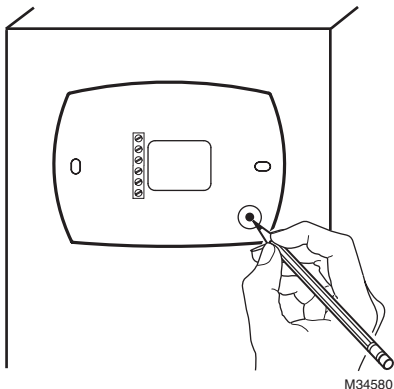
2. Separate wallplate from humidistat.



Caution: Electrical Hazard

Can cause electrical shock or equipment damage.
Disconnect power before beginning installation.

3. Mark the duct-tube hole.



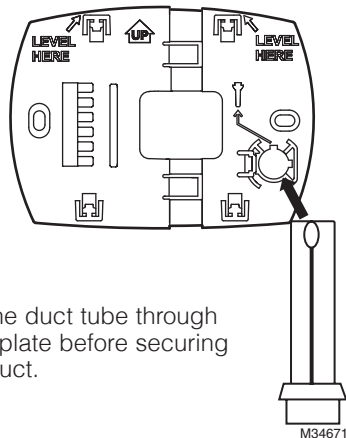
Hold the wallplate up to the desired location on the duct and make a mark inside the duct tube hole.

4. Drill the duct-tube hole.



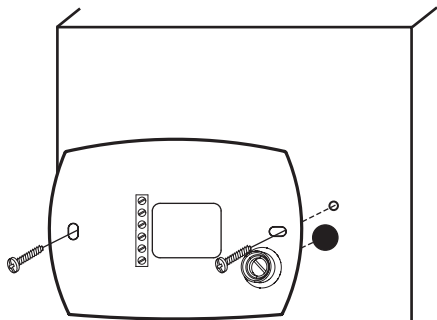
Find your mark and drill a 1/2 in. hole in the duct. This is where the duct tube will be inserted to capture air.

5. Insert the duct tube.



Insert the duct tube through the wallplate before securing to the duct.

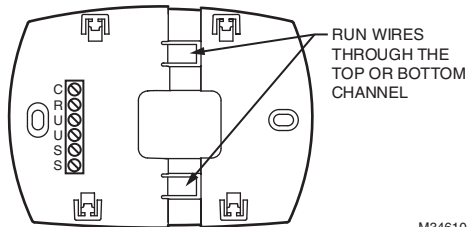
6. Secure the wallplate.



M34582

Secure the wallplate to the duct with sheet metal screws (provided).

7. Run wires through the back plate.

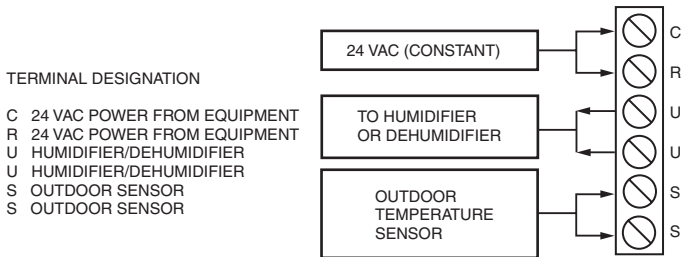


M34610

Run wires through the top or bottom channel on the back plate when duct-mounted. If installing like a thermostat on a wall, run the wires through the back.

Wiring the Humidistat

This humidity control is wired the same way a manual humidistat (H8908) is wired. The only difference is that you also wire in power (24 VAC) and an outdoor sensor.

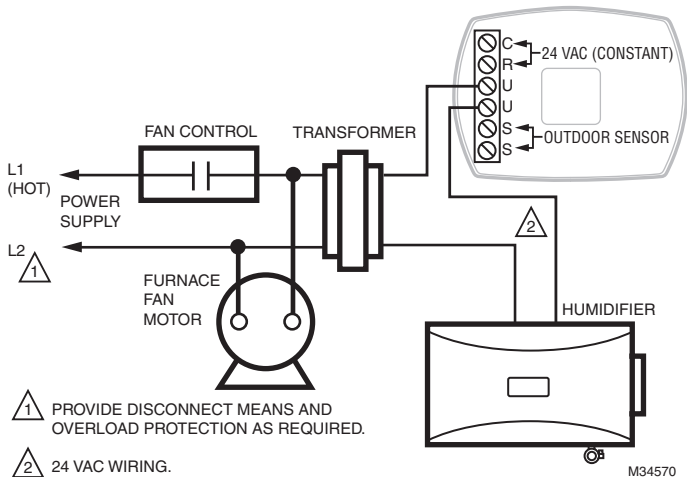


NOTES: C AND R MUST BE CONSTANT 24VAC! RECOMMENDED TO WIRE TO FURNACE/AIR HANDLER CONTROL BOARD.

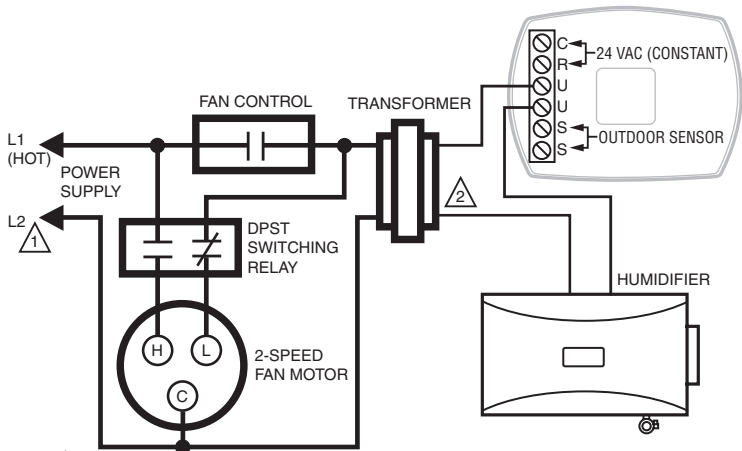
DO NOT WIRE C AND R TO HUMIDIFIER TRANSFORMER!

M34569

Wiring HumidiPRO with Fan Interlock



Wiring HumidiPRO with Fan Interlock for 2 Speed Motor

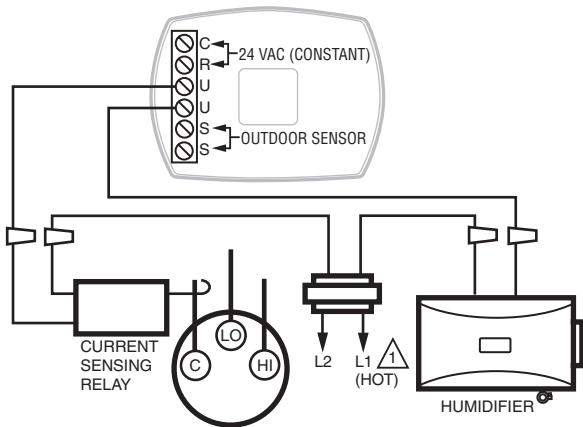


1 PROVIDE DISCONNECT MEANS AND OVERLOAD PROTECTION AS REQUIRED.

2 24 VAC WIRING.

M34571

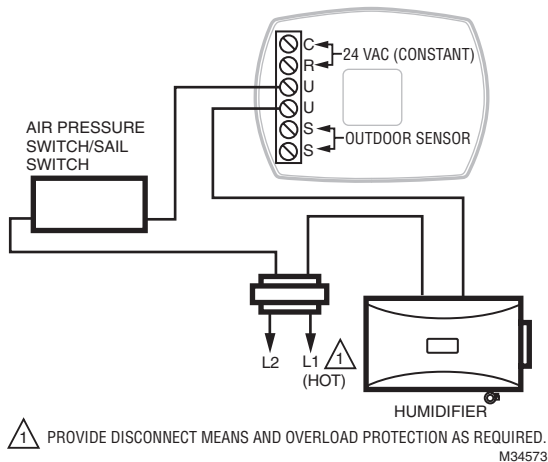
Wiring HumidiPRO with Current Sensing Relay



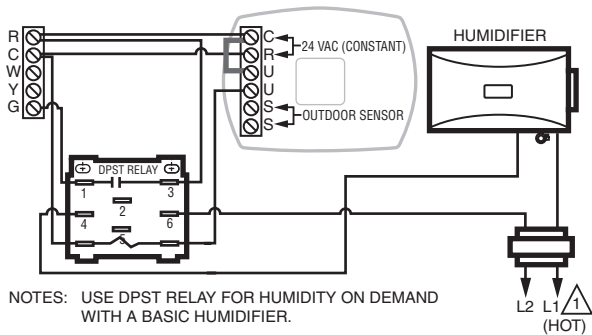
 PROVIDE DISCONNECT MEANS AND OVERLOAD PROTECTION AS REQUIRED.

M34572

Wiring HumidiPRO with Sail/Pressure Switch



Wiring HumidiPRO to FORCE FAN ON (Basic Humidifier)



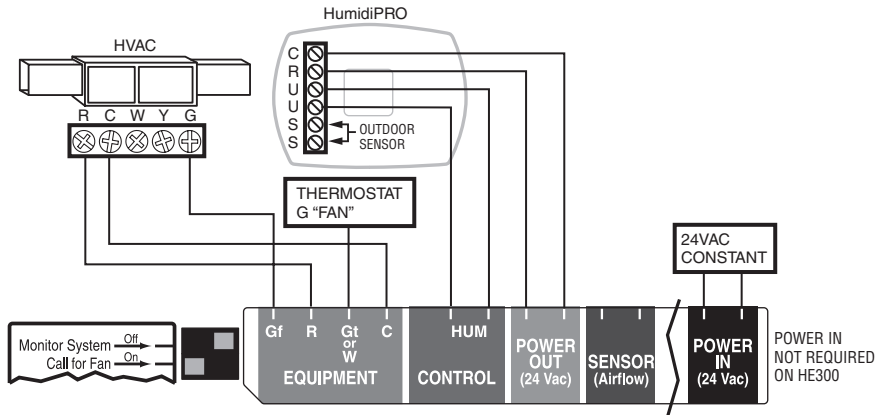
NOTES: USE DPST RELAY FOR HUMIDITY ON DEMAND WITH A BASIC HUMIDIFIER.

HUMIDIFIER MUST BE PLUMBED TO HOT WATER WHEN FORCING FAN.

HONEYWELL ADVANCED HUMIDIFIERS DO NOT NEED A RELAY TO FORCE FAN.

M34574

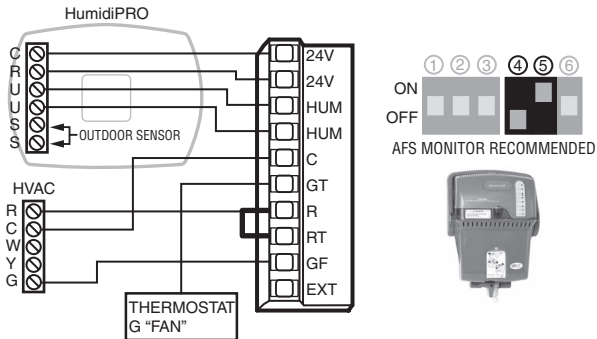
Wiring HumidiPRO to TrueEASE Advanced Humidifier with Fan Interlock (HE150/HE250/HE300)



NOTE: SEE TrueEASE INSTALL GUIDE FOR DETAILED WIRING INFORMATION.

M34577

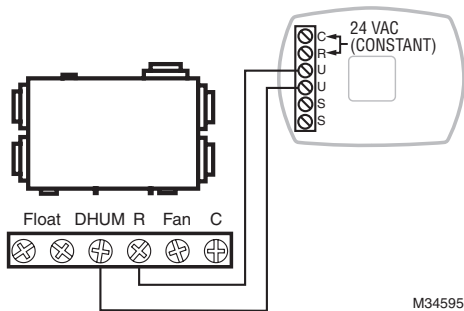
Wiring HumidiPRO to TrueSTEAM Advanced Humidifier



NOTE: SEE TrueSTEAM INSTALL GUIDE FOR DETAILED WIRING INFORMATION.

M34576

Wiring HumidiPRO to Dehumidifier



Mounting the Outdoor Sensor

(Not required if window protection isn't needed)

Location

Mount the sensor where:

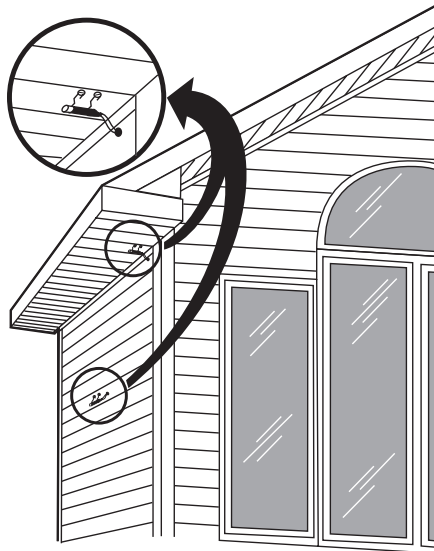
- it cannot be tampered with.
- there is good air circulation.
- surface is flat.
- wire distance between sensor and humidistat is less than 200 feet.
- it can measure true outdoor ambient temperature.

Do NOT mount the sensor:

- in direct sunlight.
- where snow, ice or debris can cover it.
- where hot or cold air blows on the sensor. (For example, a discharge line from an outdoor compressor unit, vent or fan can cause inaccurate temperature readings.)

Steps to mount the sensor

1. Remove the sensor from the mounting clip.
2. Mark the area on the location selected for mounting the sensor mounting clip.
3. Mount the clip. Image on right shows typical locations for outdoor sensor.



M7514A

Wiring the sensor

Caution

Electrical Interference (Noise) Hazard. Can cause erratic system operation.

- Keep wiring at least one foot away from large inductive loads such as motors, line starters, lighting ballasts and large power distribution panels. Use shielded cable to reduce interference when rerouting is not possible.
- Be sure wires have a cable separate from the thermostat cable.
- Do not route temperature sensor wiring with building power wiring, next to control contactors or near light dimming circuits, electric motors or welding equipment.
- Avoid poor wiring connections.
- Avoid intermittent or missing building earth ground.

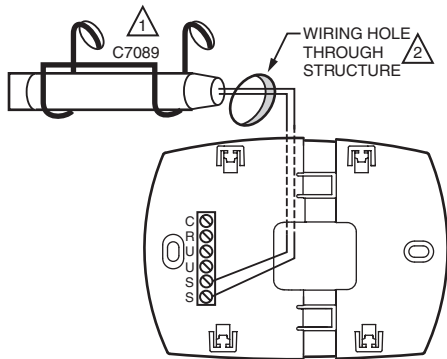
Caution

Electrical Shock Hazard. Can cause electrical shock or equipment damage.

Disconnect power supply before connecting wiring.

Wiring must comply with applicable codes, ordinances and regulations:

1. Wire the C7089 Outdoor Sensor to the S terminals on the humidity control. If leadwire provided with C7089 is not long enough (60 in.), run a cable to a hole at C7089 location.
 - Using color-coded, 18-gauge, shielded thermostat wire is recommended. For example of general wiring of C7089, see image at right.
 - Pigtail wiring can be used.
2. Mount C7089 in its mounting clip.
3. Plug wiring hole using nonhardening caulk or putty.



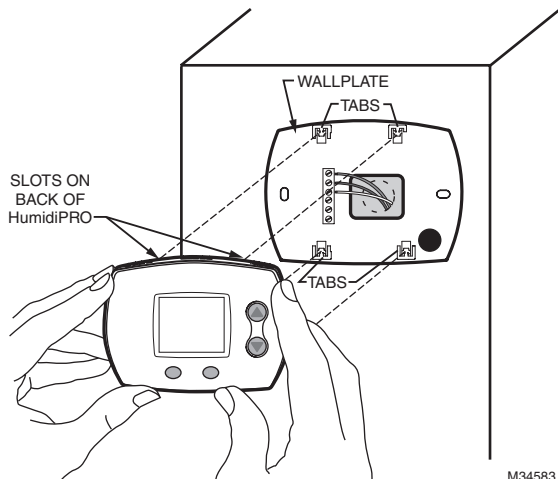
1 USE APPROPRIATE MOUNTING MEANS FOR THE TYPE OF STRUCTURE.

2 PLUG WIRING HOLE WITH NON-HARDENING CAULK OR PUTTY.

M34611

Mount Humidity Control

Align the 4 tabs on the wallplate with the slots on the back of the control, then push gently until the control snaps in place.



M34583

Checkout

Allow C7089B Outdoor Sensor to absorb outdoor air for a minimum of twenty minutes before taking a reading.

With an accurate thermometer ($\pm 1^{\circ}\text{F}$ [0.5°C]), measure the temperature at the sensor location, allowing time for the thermometer to stabilize before reading.

Then verify the sensor accuracy by going into installer Test #20. This will show you the outdoor temperature.

Calibration

The C7089 Outdoor Sensor is calibrated at the factory. However, you can offset the outdoor sensor reading using Function 35 in Installer Setup.

You've just installed your Humidity Controller!

This Humidity Control has been preprogrammed to the ideal settings for most homes.

If you installed this control with an outdoor sensor, the control will operate in AUTOMATIC MODE, which automatically adjusts humidity to help prevent window condensation.

If you installed this control without an outdoor sensor, the control will operate in MANUAL MODE, giving the homeowner simple, direct control of their humidifier (RH% Setting Only).

Advanced Installer Setup

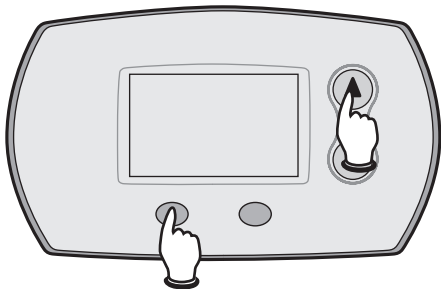
See next page to customize feature operation.

Installer System Test

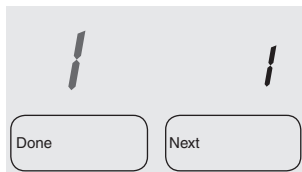
If Advanced Installer Setup is not required, skip to "Installer System Test/Checkout" on page 27.

Advanced Installer Setup

Honeywell has already programmed this control to work properly in most applications. However, you can adjust the advanced settings by following the steps below.



To begin, **press and hold** the ▲ and **LIGHT** buttons until the display changes.



M29387A

Press ▲ or ▼ to change settings.

Press **NEXT** to advance to the next function.

Press **DONE** to exit and save settings.

Function Number	Setting	
	Displayed	Description
1 System Type	1	Humidifier
	2	Dehumidifier
4 Control Mode Automatic Mode is Default when Outdoor Sensor Detected Manual Mode is Default when NO Outdoor Sensor Detected	1	Automatic
	2	Manual
5 Automatic Mode RH% (Hum) This is the humidity setpoint (RH%) the control will operate to. The homeowner does not change this and will only need to set the appropriate window protection setting.	Range: 20%-60% Default = 35%	
11 Automatic Mode Humidity Boost Increases Preset RH% (#5) when user sets window protection to 11.	0	OFF
	5%	5%
	10%	10%
17 Automatic Mode High Temp Shut-Off Turns humidifier OFF when Outdoor Temperature is greater than selected setting.	Range: 40° - 90° 0 = OFF Default = 65°	
19 High Hum Limit	Range: 10% - 90% Default = 60%	

Function Number	Setting	
	Displayed	Description
20 Low Hum Limit	Range: 10% - 90%	Default = 10%
21 High Dehum Limit	Range: 10% - 90%	Default = 80%
23 Low Dehum Limit	Range: 10% - 90%	Default = 40%
25 Dehumidifier Compressor Lockout	0 - 5 Minutes	Default = 0 Minutes (OFF)
30 Humidity Sensing Calibration This feature will offset the sensed indoor humidity.	Range: -9% to +9%	Default = 0 (Displays Actual RH%)
35 Outdoor Temperature Sensor Calibration This feature will offset the sensed outdoor temperature if needed.	Range: -9° to +9°	Default = 0 (Displays Actual Outdoor Temp)

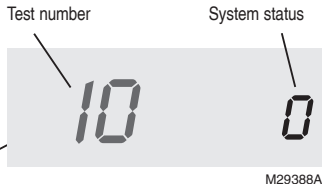
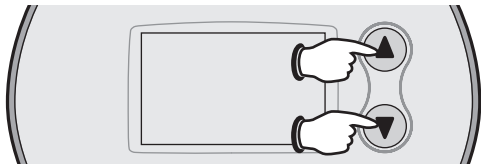
Honeywell HumidiPRO™ Frost Index

		Outdoor Temp					
		-10°F	0°F	10°F	20°F	30°F	40°F
Frost Index	1	10 10	10 10	11 11	17 17	25 25	35 36
	2	10 10	10 10	15 15	21 21	29 29	35 39
	3	10 10	14 14	19 19	26 26	34 34	35 46
	4	15 15	19 19	25 25	32 32	35 39	35 52
	5	21 21	26 26	32 32	35 38	35 48	35 58
	6	29 29	34 34	35 39	35 48	35 56	35 60
	7	35 39	35 46	35 52	35 58	35 60	35 60
	8*	35 56	35 60	35 60	35 60	35 60	35 60
	9	35 60	35 60	35 60	35 60	35 60	35 60
	10	35 60	35 60	35 60	35 60	35 60	35 60

*Black Numbers show highest humidity allowed when Default RH% (35%) is Selected.

Note: Smaller grey numbers show highest humidity allowed when Maximum RH% (60%) is selected.

Installer System Test/Checkout



To begin, **press and hold** the ▲ and ▼ buttons until the display changes.

Press ▲ / ▼ to turn system on/off.
Press **NEXT** to advance to next test.
Press **DONE** to terminate system test.

Function Number	Setting	
	Number	Description
10 System Test	0	OFF
	1	ON
20 View Outdoor Temperature	Shows Outdoor Temperature	

Installer System Test/Checkout (continued)

NOTE: Most humidifiers require airflow in the system to operate. Make sure to turn on the system fan when testing humidifier operation.

Caution: If running a dehumidifier, compressor protection is bypassed during testing; avoid cycling the compressor too quickly.

Note: Some dehumidifiers may already have built in compressor protection.

Specifications

Humidity Ranges:

- Total Range Available: 10% to 90%

Humidify:

- Default: 10% to 60%
- Total Range Available: 10% to 90%

Operating Ambient Temperature

- 32° to 120°F (0° to 48.9°C)

Dehumidify:

- Default: 40% to 80%

Operating Relative Humidity

- 5% to 90% (non-condensing)

Troubleshooting

If you have difficulty with your humidity control, please try the following suggestions. Most problems can be corrected quickly and easily.

Display is blank

- Check circuit breaker and reset if necessary.
- Check for 24VAC between R and C at the wall plate.
- Make sure power switch at heating and cooling system is on.
- Make sure furnace door is closed securely.

Humidity settings do not change

Make sure the humidity is set to an acceptable range:

- Check current range stop settings in Installer Setup.
- Auto Mode: 1–10 (up to 11 if Humidity Boost is enabled)
- Manual Mode: 20%–60%
- Dehumidification Mode: 40%–80%

Troubleshooting (continued)

Humidifier/ Dehumidifier will not turn on

- Make sure the equipment fan is running.
- Make sure System Setting is ON.
- Make sure there is power going to the Humidifier or Dehumidifier.
- Check the humidity table to see if Window Protection is preventing a call for humidity. (Auto Humidification Mode Only).
- Check whether Compressor Lockout is enabled.
- Check whether High Temperature Shut-off is enabled (ISU-17) and Outdoor Temperature is less than selected Shut-off Temperature.

Customer Assistance

For assistance with this product, please visit **yourhome.honeywell.com**.

Or call Honeywell Customer Care toll-free at **1-800-468-1502**.

Five-Year Limited Warranty

Honeywell warrants this product, excluding lamps, to be free from defects in the workmanship or materials, under normal use and service, for a period of five (5) years from the date of purchase by the consumer. If, at any time during the warranty period, the product is defective or malfunctions, Honeywell shall repair or replace it (at Honeywell's option) within a reasonable period of time. If the product is defective, (i) return it, with a bill of sale or other dated proof of purchase, to the retailer from which you purchased it, or (ii) package it carefully, along with proof of purchase (including date of purchase) and a short description of the malfunction, and mail it, postage prepaid, to the following address: Honeywell Return Goods, Dock 4 MN10-3860, 1885 Douglas Dr. N, Golden Valley, MN 55422.

This warranty does not cover removal or reinstallation costs. This warranty shall not apply if it is shown by Honeywell that the defect or malfunction was caused by damage which occurred while the product was in the possession of a consumer.

Honeywell's sole responsibility shall be to repair or replace the product within the terms stated above. HONEYWELL SHALL NOT BE LIABLE FOR ANY LOSS OR DAMAGE OF ANY KIND, INCLUDING ANY INCIDENTAL OR CONSEQUENTIAL DAMAGES RESULTING, DIRECTLY OR INDIRECTLY, FROM ANY EACH OF ANY WARRANTY, EXPRESS OR IMPLIED, OR ANY OTHER FAILURE OF THIS PRODUCT. Some states do not allow the exclusion or limitation of incidental or consequential damages, so this limitation may not apply to you.

THIS WARRANTY IS THE ONLY EXPRESS WARRANTY HONEYWELL MAKES ON THIS PRODUCT. THE DURATION OF ANY IMPLIED WARRANTIES, INCLUDING THE WARRANTIES OF MERCHANTABILITY AND FITNESS FOR A PARTICULAR PURPOSE, IS HEREBY LIMITED TO THE FIVE YEAR DURATION OF THIS WARRANTY. Some states do not allow limitations on how long

an implied warranty lasts, so the above limitation may not apply to you. This warranty gives you specific legal rights, and you may have other rights which vary from state to state. If you have any questions concerning this warranty, please write Honeywell Customer Relations, Honeywell, 1985 Douglas Dr. N MN10-1461, Golden Valley, MN 55422.

Honeywell

Automation and Control Solutions

Honeywell International Inc.

1985 Douglas Drive North

Golden Valley, MN 55422

yourhome.honeywell.com

® U.S. Registered Trademark

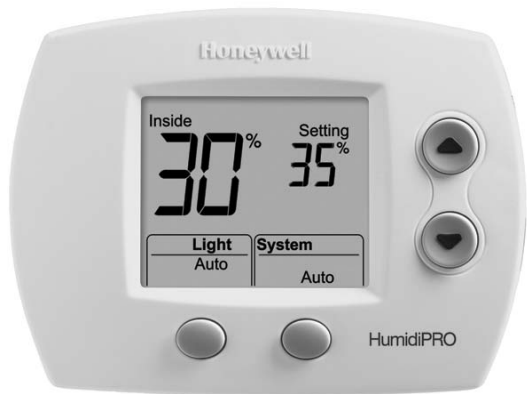
© 2013 Honeywell International Inc.

69-2794EFS—03 M.S. Rev. 05-13

Printed in United States



69-2794EFS-03



Honeywell

Notice d'installation

Régulateur d'humidité numérique HumidiPRO H6062

Lors de l'installation de ce produit

Veillez lire cette notice avec soin. Le non-respect des instructions peut endommager le produit ou créer une situation dangereuse.

Vérifiez les caractéristiques nominales indiquées dans la notice et sur le produit pour s'assurer que le produit correspond bien à l'application prévue.

L'installateur doit être un technicien expérimenté ayant reçu la formation adéquate.

Une fois l'installation terminée, vérifiez que le produit fonctionne comme indiqué dans ces instructions.

Mises en garde

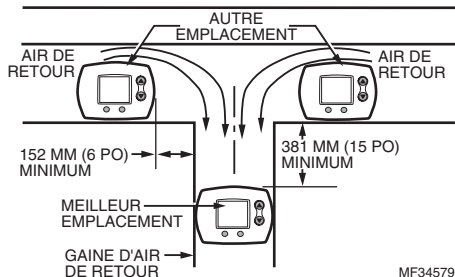
Risque de choc électrique ou de dégâts matériels.

Débranchez l'alimentation avant de commencer l'installation.

Installation en gaine **ou**

(recommandée)

1. Choisissez un emplacement sur la gaine de **RETOUR**.

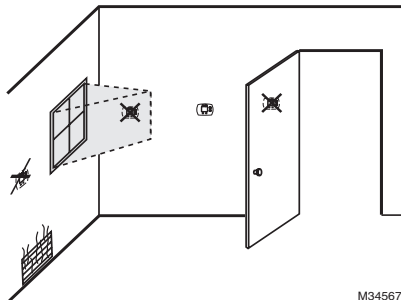


Avertissement : Le produit doit être monté sur le côté RETOUR de la gaine pour assurer une détection adéquate de l'humidité relative.

Installation à montage à distance

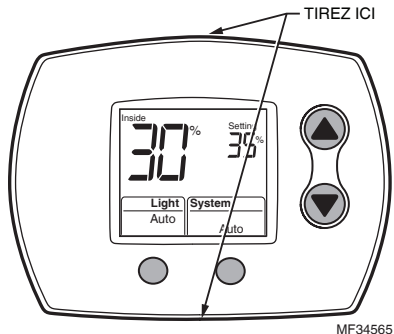
1. Choisissez un emplacement dans une pièce habitable.

NOTE: Sélectionnez un emplacement à l'abri des courants d'air et d'une humidité excessive. Évitez le montage près de portes, de fenêtres, ou dans des salles de bains ou des cuisines.



Installation en gaine

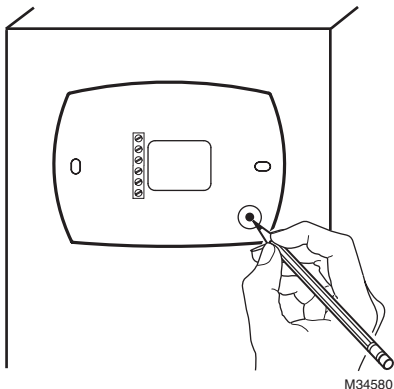
2. Séparez la plaque murale de l'humidistat.



Mise en garde : Risque de choc électrique.

Peut provoquer des chocs électriques ou endommager le matériel. Coupez l'alimentation électrique avant d'effectuer le raccordement.

3. Marquez l'orifice du tube de la gaine.



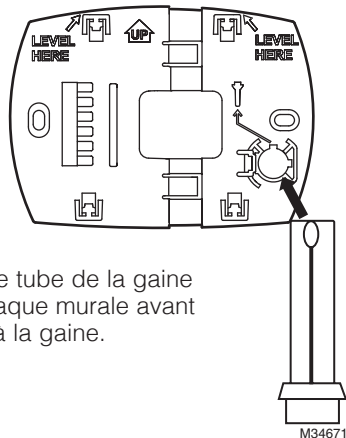
Tenez la plaque murale à l'emplacement désiré sur la gaine et tracez un repère à l'intérieur de l'orifice du tube de la gaine.

4. Percez l'orifice du tube de la gaine.

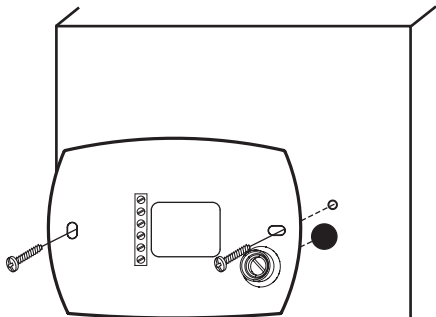


Trouvez le repère et percez un orifice de 12,7 mm (1/2 po) dans la gaine. Ceci est l'endroit où le tube de la gaine sera inséré pour capturer l'air.

5. Insérez le tube de la gaine.



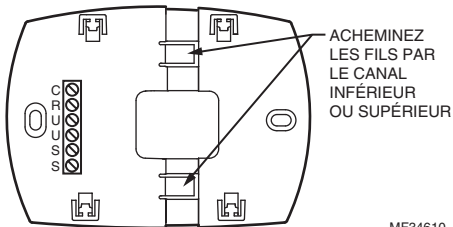
6. Fixez la plaque murale.



M34582

Fixez la plaque murale à la gaine avec des vis à tôle (fournies).

7. Acheminez les fils par la plaque murale.



MF34610

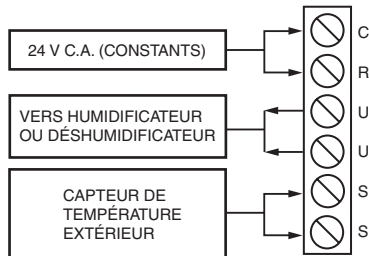
Acheminez les fils par le canal supérieur ou inférieur sur la plaque arrière pour un montage en gaine. Pour une installation similaire à un thermostat sur le mur, acheminez les fils par l'arrière.

Câblage de l'humidistat

Le régulateur d'humidité est câblé de la même façon que pour un humidistat manuel (H8908). La seule différence est que l'alimentation (24 V c.a.) et un capteur extérieur sont aussi câblés.

DÉSIGNATION DES BORNES

- C ALIMENTATION DE 24 V C.A. DE L'ÉQUIPEMENT
- R ALIMENTATION DE 24 V C.A. DE L'ÉQUIPEMENT
- U HUMIDIFICATEUR/DÉSHUMIDIFICATEUR
- U HUMIDIFICATEUR/DÉSHUMIDIFICATEUR
- S CAPTEUR EXTÉRIEUR
- S CAPTEUR EXTÉRIEUR

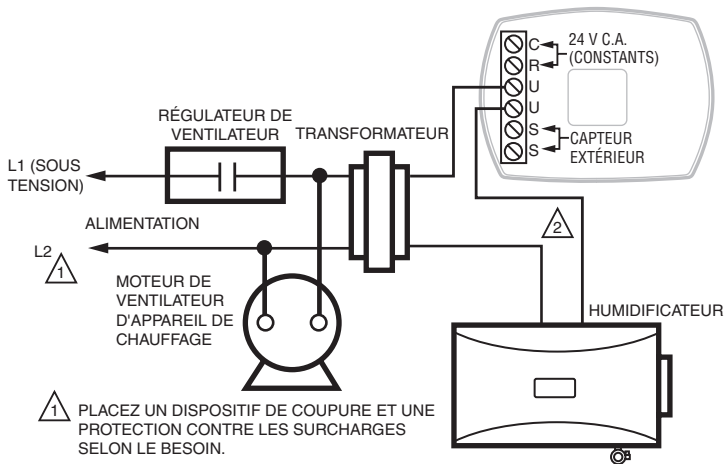


REMARQUES : LES BORNES C ET R DOIVENT AVOIR 24 V C.A. CONSTANTS! CÂBLAGE SUR LE TABLEAU DE CONTRÔLE DE L'APPAREIL DE CHAUFFAGE/DE TRAITEMENT DE L'AIR.

NE CÂBLEZ PAS LES BORNES C ET R SUR LE TRANSFORMATEUR DE L'HUMIDIFICATEUR!

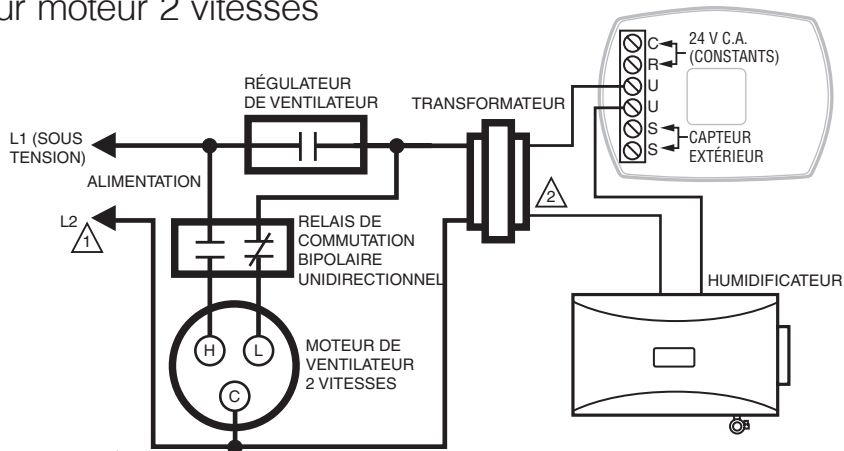
MF34569

Câblage de l'HumidiPRO avec verrouillage de ventilateur



MF34570

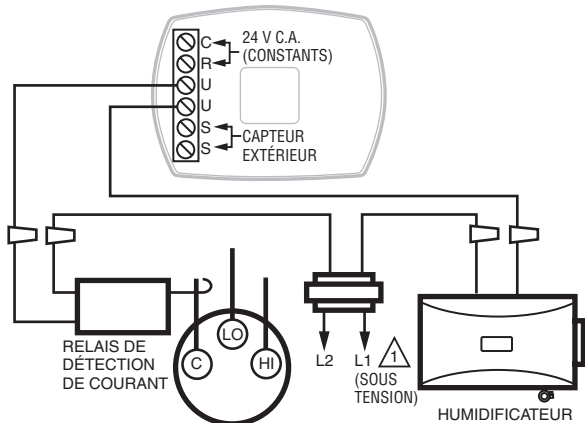
Câblage de l'HumidiPRO avec verrouillage du ventilateur pour moteur 2 vitesses



1 PLACEZ UN DISPOSITIF DE COUPURE ET UNE PROTECTION CONTRE LES SURCHARGES SELON LE BESOIN.

2 CÂBLAGE 24 V C.A.

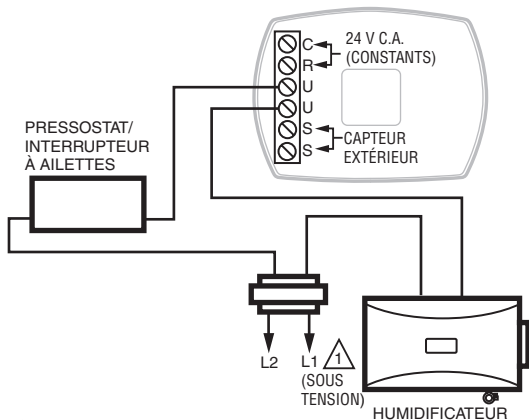
Câblage de l'HumidiPRO avec relais de détection de courant



1 PLACEZ UN DISPOSITIF DE COUPURE ET UNE PROTECTION CONTRE LES SURCHARGES SELON LE BESOIN.

MF34572

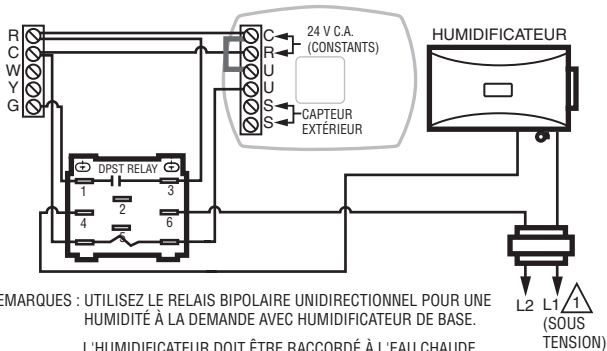
Câblage de l'HumidiPRO avec interrupteur à ailettes/ pressostat



 PLACEZ UN DISPOSITIF DE COUPURE ET UNE PROTECTION CONTRE LES SURCHARGES SELON LE BESOIN.

MF34573

Câblage de l'HumidiPro avec MARCHE FORCÉE DU VENTILATEUR (humidificateur de base)



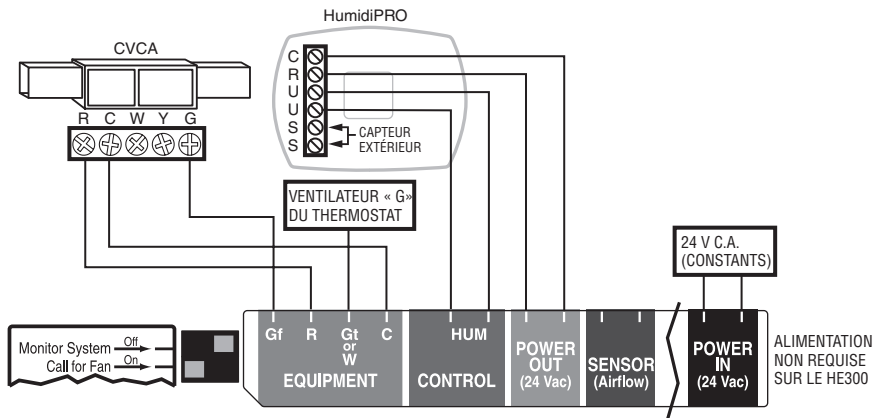
REMARQUES : UTILISEZ LE RELAIS BIPOLAIRE UNIDIRECTIONNEL POUR UNE HUMIDITÉ À LA DEMANDE AVEC HUMIDIFICATEUR DE BASE.

L'HUMIDIFICATEUR DOIT ÊTRE RACCORDÉ À L'EAU CHAUDE LORSQUE LE VENTILATEUR EST EN MARCHE FORCÉE.

LES HUMIDIFICATEURS AVANCÉS HONEYWELL NE NÉCESSITENT PAS DE RELAIS POUR LA MARCHE FORCÉE DU VENTILATEUR.

MF34574

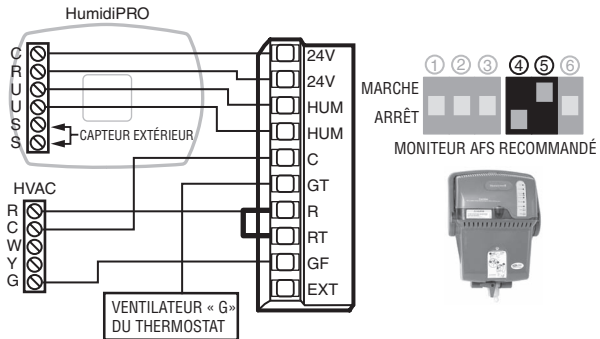
Câblage de l'HumidiPRO à l'humidificateur avancé TrueEASE avec verrouillage du ventilateur (HE150/HE250/HE300)



REMARQUE : CONSULTEZ LE GUIDE D'INSTALLATION TrueEASE POUR LES INFORMATIONS DÉTAILLÉES SUR LE CÂBLAGE.

MF34577

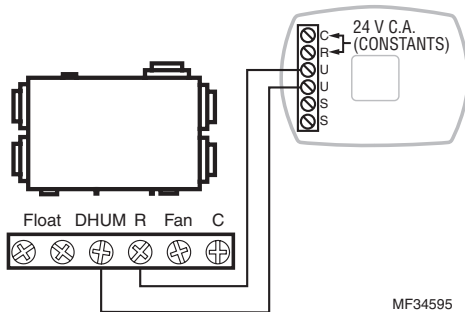
Câblage de l'HumidiPRO à l'humidificateur avancé TrueSTEAM



REMARQUE : CONSULTEZ LE GUIDE D'INSTALLATION TrueEASE POUR LES INFORMATIONS DÉTAILLÉES SUR LE CÂBLAGE

MF34576

Câblage de l'HumidiPRO au déshumidificateur



MF34595

REMARQUE :

Float = Flotteur

DHUM = DÉSHUM.

Fan = Ventilateur

Montage du capteur extérieur

(Non requis si la protection pour les fenêtres n'est pas nécessaire)

Emplacement

Installez le capteur dans un endroit où :

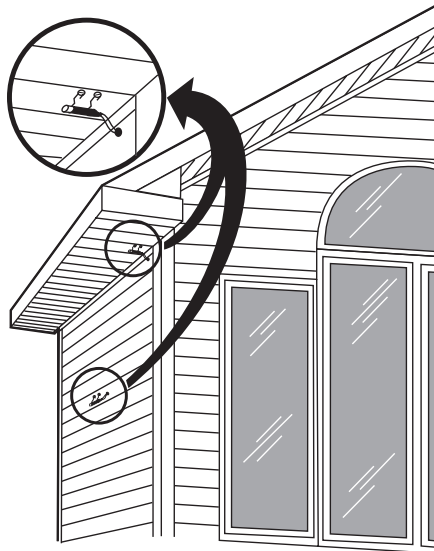
- il ne peut pas être altéré.
- l'air circule bien.
- la surface est plate.
- la distance du fil entre le capteur et l'humidistat est inférieure à 60 mètres (200 pieds).
- il est possible de mesurer la véritable température extérieure.

N'installez PAS le capteur :

- dans un endroit où il est directement exposé aux rayons du soleil.
- dans un endroit où la neige, la glace ou des débris peuvent le recouvrir.
- où de l'air chaud ou froid arrive directement sur le capteur. (Par exemple, la conduite d'évacuation d'un compresseur extérieur, d'un évent ou d'un ventilateur risquent de fausser le relevé de la température.)

Étapes d'installation du capteur

1. Retirez le capteur de sa pince de retenue.
2. Marquez l'endroit choisi pour fixer la pince de retenue du capteur.
3. Installez la pince de retenue. L'image à droite montre les emplacements typiques pour le capteur extérieur.



M7514A

Câblage de du capteur

Mise en garde

Risque d'interférences électriques (bruits). Peut provoquer le fonctionnement erratique du système.

- Tenez le fil à au moins 30 cm (1 pi) de charges inductives importantes telles que des moteurs, des démarreurs, des ballasts d'éclairage et de grands tableaux de distribution.
Utilisez du fil blindé pour réduire l'interférence lorsqu'il est impossible d'acheminer le fil autrement.
- Les fils du capteur doivent être distincts de ceux du thermostat.
- N'acheminez pas les fils du capteur extérieur au même endroit que le câble de distribution du bâtiment, près de contacteurs ou de circuits de gradateurs, de moteurs électriques ou de matériel de soudure.
- Évitez les mauvaises connexions.
- Évitez les mises à la terre intermittentes ou l'absence de mise à la terre.

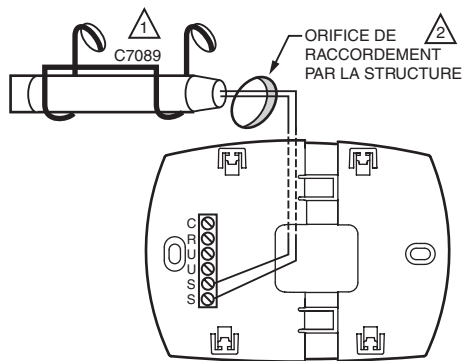
Mise en garde

Risque de choc électrique. Peut provoquer des chocs électriques ou endommager le matériel.

Coupez l'alimentation électrique avant d'effectuer le raccordement.

Tout le câblage doit être conforme au code du bâtiment et aux règlements locaux.

1. Câblez le capteur extérieur C7089 aux bornes S du régulateur d'humidité. Si le conducteur fourni avec le C7089 n'est pas assez long (150 cm), faites passer un fil par une ouverture à l'endroit du C7089.
 - L'utilisation d'un fil blindé chromocodé de calibre 18 est recommandée. Pour observer un exemple de raccordement du C7089, consultez l'image à droite.
 - Un fil en queue de cochon peut être utilisé.
2. Insérez le C7089 dans la pince de retenue.
3. Bouchez l'orifice de câblage à l'aide de mastic non durcissant.



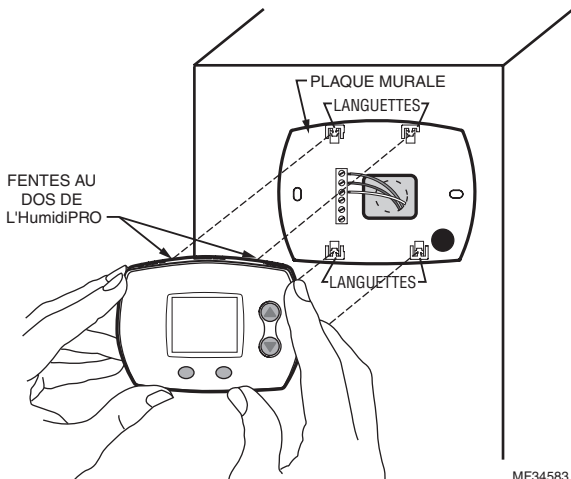
1 UTILISEZ LE MOYEN DE FIXATION QUI CONVIENT AU TYPE DE STRUCTURE.

2 BOUCHEZ L'ORIFICE DE CÂBLAGE À L'AIDE DE MASTIC NON DURCISSANT.

MF34611

Montage du régulateur d'humidité

Alignez les 4 languettes de la plaque murale sur les fentes au dos du régulateur, puis poussez délicatement jusqu'à ce que le régulateur s'enclenche en position.



MF34583

Vérification

Pour de meilleurs résultats, laissez le capteur extérieur C7089 absorber l'air extérieur pendant au moins 20 minutes avant de mesurer la résistance.

À l'aide d'un thermomètre précis ($\pm 0,5$ °C [1°F]), mesurez la température à l'emplacement du capteur, en donnant au thermomètre le temps de se stabiliser avant de relever la température.

Vérifiez ensuite la précision du capteur en allant dans le test de l'installateur n° 20. Il vous indiquera la température extérieure.

Étalonnage

Le capteur extérieur C7089 est étalonné en usine. Il est toutefois possible de compenser la valeur du capteur extérieur en utilisant la fonction 35 dans Réglage de l'installateur.

Vous avez terminé l'installation du régulateur d'humidité!

Ce régulateur d'humidité a été parfaitement préprogrammé pour assurer des réglages parfaits pour la plupart des résidences.

Si ce régulateur est installé avec un capteur extérieur, il fonctionnera en MODE AUTOMATIQUE, ce qui règle automatiquement l'humidité pour éviter la formation de condensation sur les fenêtres.

Si vous l'avez installé sans capteur extérieur, il fonctionnera en MODE MANUEL, en fournissant au propriétaire de la résidence à contrôle simple et direct de l'humidificateur (réglage du pourcentage d'humidité relative uniquement).

Réglages avancés de l'installateur

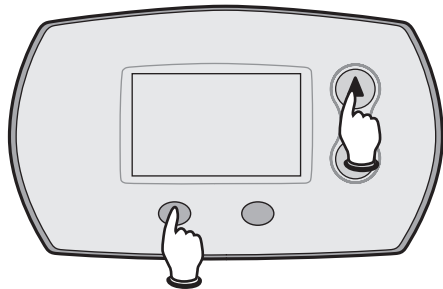
Consultez la page suivante pour personnaliser les fonctions.

Test du système de l'installateur

Si le réglage avancé de l'installateur n'est pas requis, passez directement à « Test/Vérification du système de l'installateur » à la page 27.

Réglages avancés de l'installateur

Honeywell a déjà programmé ce régulateur pour un fonctionnement approprié dans la plupart des applications. Vous pouvez toutefois modifier les réglages avancés en suivant les étapes ci-dessous.



Pour commencer, appuyez sans relâcher sur les boutons ▲ et **LIGHT** (éclairage) jusqu'à ce que l'affichage change.



M29387A

Appuyez sur ▲ ou ▼ pour modifier les réglages.

Appuyez sur **NEXT** (suivant) pour passer à la fonction suivante.

Appuyez sur **DONE** (terminé) pour enregistrer les modifications et quitter le mode de réglage.

Numéro de fonction	Réglage	
	Affiché	Description
1 Type de système	1	Humidificateur
	2	Déshumidificateur
4 Mode de régulation Le mode par défaut est le mode automatique lorsqu'un capteur extérieur est détecté. Le mode par défaut est le mode manuel lorsqu'AUCUN capteur extérieur n'est détecté.	1	Automatique
	2	Manuel
5 % d'HR en mode automatique Ceci est le point de consigne d'humidité (%HR) utilisé par le régulateur. Le propriétaire ne change pas cette valeur et n'a qu'à définir le réglage de protection des fenêtres approprié.	Plage : 20 %-60 % Défaut = 35 %	
11 Supplément d'humidité en mode automatique Augmente le % d'HR pré-réglé (n° 5) lorsque l'utilisateur définit la protection des fenêtres à 11.	0	ARRÊT
	5 %	5 %
	10 %	10 %
17 La coupure haute température en mode automatique Éteint l'humidificateur lorsque la température extérieure est supérieure au réglage sélectionné.	Plage : 40° - 90° 0 = Arrêt Défaut = 65°	
19 Humidification limite haute	Plage : 10% - 90% Défaut = 60 %	

Numéro de fonction	Réglage	
	Affiché	Description
20 Humidification limite basse	Plage : 10 % - 90 % Défaut = 10 %	
21 Humidification limite haute	Plage : 10 % - 90 % Défaut = 80 %	
23 Humidification limite haute	Plage : 10 % - 90 % Défaut = 40 %	
25 Verrouillage du compresseur de déshumidification	0 - 5 minutes Défaut = 0 minutes (arrêt)	
30 Étalonnage de la détection de l'humidité Cette fonction compensera l'humidité intérieure détectée.	Plage : -9 % à +9 % Défaut = 0 (affiche le % d'HR)	
35 Étalonnage du capteur de température extérieure Cette fonction compensera la température extérieure détectée si nécessaire.	Plage : -9 ° à +9 ° Défaut = 0 (affiche le température extérieur)	

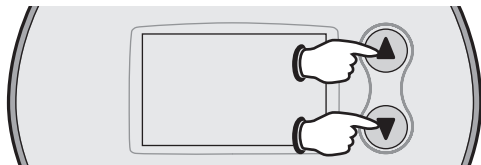
Indice de gel HumidiPRO™ Honeywell

		Température extérieure					
		-10°F	0°F	10°F	20°F	30°F	40°F
Indice de gel	1	10 10	10 10	11 11	17 17	25 25	35 36
	2	10 10	10 10	15 15	21 21	29 29	35 39
	3	10 10	14 14	19 19	26 26	34 34	35 46
	4	15 15	19 19	25 25	32 32	35 39	35 52
	5	21 21	26 26	32 32	35 38	35 48	35 58
	6	29 29	34 34	35 39	35 48	35 56	35 60
	7	35 39	35 46	35 52	35 58	35 60	35 60
	8*	35 56	35 60	35 60	35 60	35 60	35 60
	9	35 60	35 60	35 60	35 60	35 60	35 60
	10	35 60	35 60	35 60	35 60	35 60	35 60

*Les valeurs en noir indiquent l'humidité la plus haute permise lorsque le % d'HR par défaut (35 %) est sélectionné.

Remarque : Les valeurs en gris plus petites indiquent l'humidité la plus haute permise lorsque le % d'HR maximum (60 %) est sélectionné.

Test/vérification du système de l'installateur



Numéro du test

Statut du système



M29388A

Pour commencer, appuyez sur les boutons ▲ et ▼ jusqu'à ce que l'affichage change.

Appuyez sur ▲ / ▼ pour allumer/éteindre le système.

Appuyez sur **NEXT** (suivant) pour passer au test suivant.

Appuyez sur **DONE** (terminé) pour mettre fin au test du système.

Numéro de fonction	Réglage	
	Référence	Description
10 Test du système	0	ARRÊT
	1	MARCHE
20 Afficher la température extérieure	Affiche la température extérieure	

Test/vérification du système de l'installateur (suite)

REMARQUE : La plupart des humidificateurs nécessitent un débit d'air dans le système pour fonctionner. Assurez-vous que le ventilateur du système est en marche lors du test du fonctionnement de l'humidificateur.

Mise en garde : Si un déshumidificateur est utilisé, la protection du compresseur est désactivée durant le test; évitez de réactiver le compresseur trop rapidement.

REMARQUE : Certains déshumidificateurs ont une protection du compresseur déjà intégrée.

Spécifications

Plages d'humidité :

Humidification :

- Défaut : 10 % à 60 %
- Plage disponible totale : 10 % à 90%

Déshumidification :

- Défaut : 40 % à 80 %
- Plage disponible totale : 10 % à 90 %

Température ambiante de service

- 0 °C à 48,9 °C (32 °F à 120 °F)

Humidité relative de service

- 5 % à 90 % (sans condensation)

Dépannage

En cas de difficultés avec le thermostat, veuillez essayer les suggestions suivantes. La plupart des problèmes peuvent être réglés rapidement et facilement.

Rien n'apparaît à l'écran

- Vérifiez le disjoncteur et réinitialisez-le si nécessaire.
- Vérifiez qu'il y a bien 24 V c.a. entre les bornes R et C au niveau de la plaque murale.
- Assurez-vous que l'interrupteur de marche-arrêt du système de chauffage et de refroidissement est sur marche.
- Assurez-vous que la porte de l'appareil de chauffage est bien fermée.

Les réglages de la température ne changent pas

Assurez-vous que l'humidité est réglée dans une plage acceptable :

- Vérifiez les réglages de limite de plage courante dans Réglages de l'installateur.
- Mode automatique : 1–10 (jusqu'à 11 si un supplément d'humidité est activé)
- Mode manuel : 20 %–60 %
- Mode de déshumidification : 40 %–80 %

Dépannage (suite)

L'humidificateur/le déshumidificateur ne se met pas en marche

- Assurez-vous que le ventilateur de l'équipement fonctionne.
- Assurez-vous que le système est réglé sur Marche.
- Assurez-vous que l'humidificateur ou le déshumidificateur est alimenté.
- Vérifiez le tableau d'humidité pour voir si la protection des fenêtres empêche un appel d'humidité. (Mode d'humidification automatique uniquement)
- Vérifiez si le verrouillage du compresseur est activé.
- Vérifiez si l'arrêt de haute température est activé (ISU-17) et si la température extérieure est inférieure à la température d'arrêt sélectionnée.

Assistance à la clientèle

Pour obtenir de l'aide avec ce produit, veuillez consulter le site **yourhome.honeywell.com**.

Ou appelez le numéro gratuit du service à la clientèle de Honeywell en composant le **1-800-468-1502**.

Garantie limitée de cinq ans

Honeywell garantit ce produit, à l'exception des lampes, contre tout défaut de pièce ou de main d'œuvre, durant une période de cinq (5) ans à partir de la date d'achat si le produit est utilisé et entretenu convenablement. En cas de défaut ou de mauvais fonctionnement du produit pendant la période de garantie, Honeywell remplacera ou réparera le produit, à sa discrétion, dans un délai raisonnable. Si le produit est défectueux, (i) retournez-le, avec un acte de vente ou une autre preuve d'achat datée, au détaillant auprès duquel vous l'avez acheté, ou (ii) emballez-le avec soin, avec la preuve d'achat (incluant la date d'achat) et une brève description du dysfonctionnement, et envoyez-le en port payé à l'adresse suivante : Honeywell Return Goods, Dock 4 MN10-3860, 1885 Douglas Dr. N, Golden Valley, MN 55422.

La présente garantie ne couvre pas les frais de retrait ou de réinstallation. La présente garantie ne s'appliquera pas s'il est démontré par Honeywell que la défectuosité ou le mauvais fonctionnement sont dus à un endommagement du produit alors que le consommateur l'avait en sa possession.

La responsabilité exclusive de Honeywell se limite à réparer ou à remplacer le produit conformément aux modalités susmentionnées. HONEYWELL N'EST EN AUCUN CAS RESPONSABLE DES PERTES OU DOMMAGES, Y COMPRIS LES DOMMAGES INDIRECTS OU ACCESSOIRES DÉCOULANT DIRECTEMENT OU INDIRECTEMENT D'UNE VIOLATION QUELCONQUE D'UNE GARANTIE, EXPRESSE OU TACITE, APPLICABLE AU PRÉSENT PRODUIT, OU TOUTE AUTRE DÉFAILLANCE DU PRÉSENT PRODUIT. Certaines provinces ne permettent pas l'exclusion ou la restriction des dommages indirects ou accessoires et, par conséquent, la présente restriction peut ne pas s'appliquer.

CETTE GARANTIE EST LA SEULE GARANTIE EXPRESSE FAITE PAR HONEYWELL POUR CE PRODUIT. LA DURÉE DE TOUTE GARANTIE IMPLICITE, INCLUANT LES GARANTIES DE QUALITÉ MARCHANDE OU D'ADAPTATION À UNE UTILISATION PARTICULIÈRE, EST LIMITÉE PAR LES PRÉSENTES À LA PÉRIODE DE CINQ ANS DE LA PRÉSENTE GARANTIE. Certaines provinces ne permettent pas de limiter la durée des garanties tacites et, par conséquent, la présente limitation peut ne pas s'appliquer. La présente garantie donne au consommateur des droits spécifiques et certains autres droits qui peuvent varier d'une province à l'autre. Pour toute question concernant cette garantie, veuillez écrire au Honeywell Customer Relations, Honeywell, 1985 Douglas Dr. N MN10-1461, Golden Valley, MN 55422.

Honeywell

Solutions de régulation et d'automatisation

Honeywell International Inc.

1985 Douglas Drive North

Golden Valley, MN 55422

yourhome.honeywell.com

® Marque de commerce déposée aux États-Unis

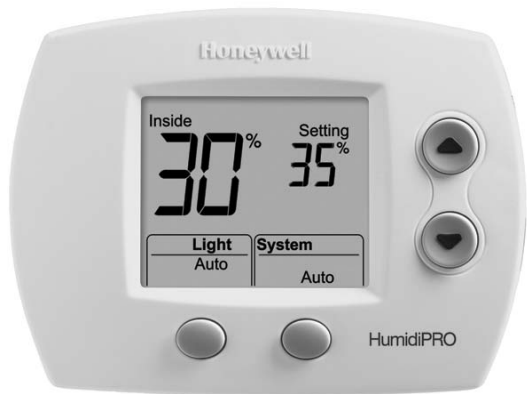
© 2013 Honeywell International Inc.

69-2794EFS—03 M.S. Rev. 05-13

Imprimé aux États-Unis



69-2794EFS-03



Honeywell

**Instrucciones
para la
instalación**

**Control de humedad digital
HumidiPRO H6062**

Cuando instale este producto

Lea estas instrucciones atentamente. De no seguirlas, se podría dañar el producto o provocar una situación peligrosa.

Revise los valores nominales indicados en el producto y en las instrucciones, para asegurarse de que el producto sea adecuado para la aplicación.

El instalador debe ser un técnico de servicio capacitado y experimentado.

Después de terminar la instalación, compruebe el funcionamiento del producto tal como se indica en estas instrucciones.

Precauciones

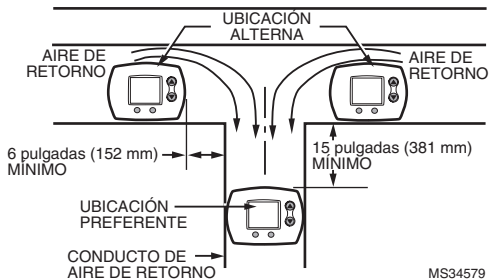
Puede ocurrir descarga eléctrica o daños al equipo.

Desconecte el suministro de electricidad antes de comenzar la instalación.

Instalación de conducto ○

(se recomienda)

1. Elija una ubicación en el conducto de **RETORNO**.



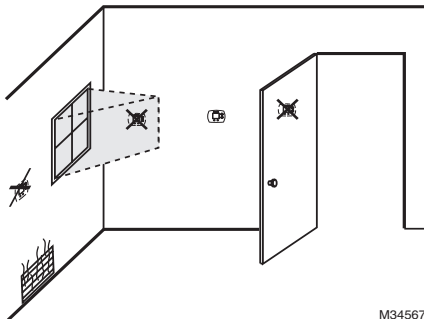
MS34579

Advertencia: El producto se debe montar en el lado de **RETORNO** del conducto para la detección adecuada del % de HR.

Instalación de montaje remoto

1. Elija una ubicación en el área habitable.

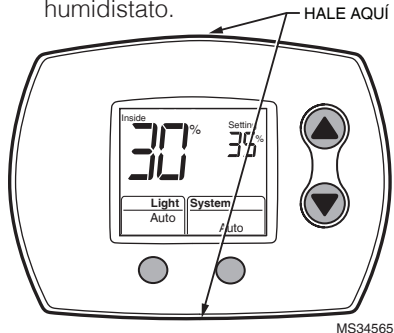
NOTA: Elija una ubicación que no tenga corrientes de aire o humedad excesiva. Evite montar cerca de puertas o ventanas o en baños o cocinas.



M34567

Instalación de montaje en conducto

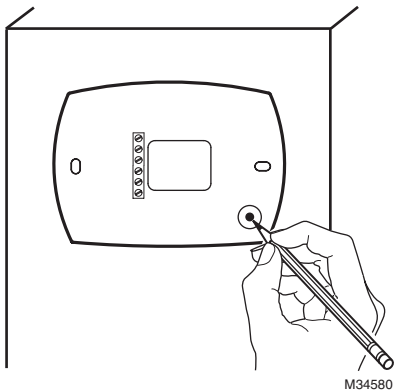
2. Separe la placa de pared del humidistato.



Precaución: Riesgo de descarga eléctrica

Puede causar descargas eléctricas o daños al equipo. Desconecte la energía antes de comenzar la instalación.

3. Marque el agujero del tubo del conducto.



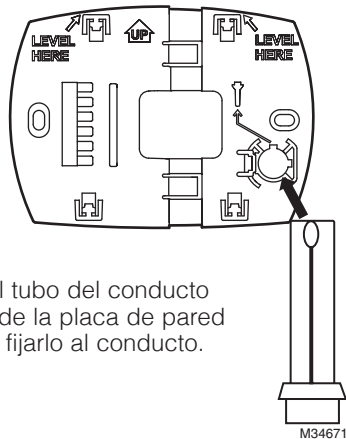
Sostenga la placa de pared en la ubicación deseada del conducto y haga una marca dentro del agujero del tubo del conducto.

4. Taladre el agujero del tubo del conducto.

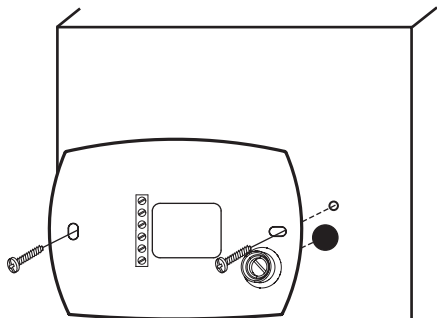


Localice su marca y taladre un agujero de 1/2" (12.7 mm) en el conducto. Es aquí donde se insertará el tubo del conducto para captar el aire.

5. Inserte el tubo del conducto.



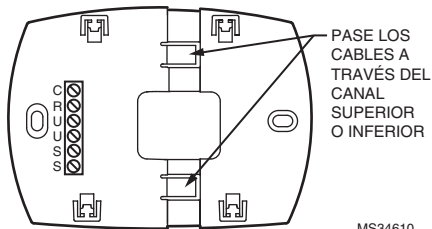
6. Fije la placa de pared.



M34582

Fije la placa de pared al conducto con los tornillos para lámina metálica que se suministran.

7. Pase los cables a través de la placa posterior.



MS34610

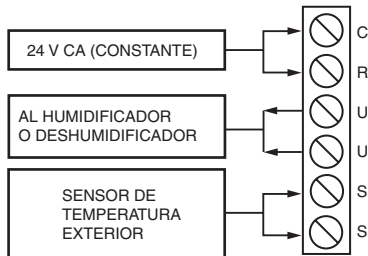
Pase los cables a través del canal superior o inferior de la placa posterior cuando se monte en un conducto. Si lo instala como un termostato en una pared, pase los cables a través de la parte posterior.

Cableado del humidistato

Este control de humedad está cableado de la misma manera que está cableado el humidistato manual (H8908). La única diferencia es que también usted también cablea la electricidad (24 V CA) y un sensor de exteriores.

DESIGNACIÓN DE LOS TERMINALES

- C ENERGÍA DE 24 V CA DESDE EL EQUIPO
- R ENERGÍA DE 24 V CA DESDE EL EQUIPO
- U HUMIDIFICADOR/DESHUMIDIFICADOR
- U HUMIDIFICADOR/DESHUMIDIFICADOR
- S SENSOR DE EXTERIORES
- S SENSOR DE EXTERIORES

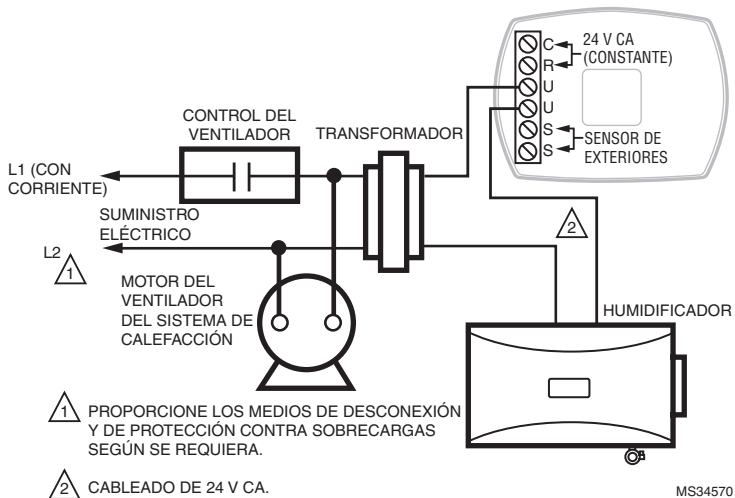


NOTAS: ¡C Y R DEBEN TENER 24 V CA CONSTANTES! SE RECOMIENDA CABLEAR AL SISTEMA DE CALEFACCIÓN/TABLERO DE CONTROL DEL CONTROLADOR DE AIRE.

¡NO CABLEE C Y R AL TRANSFORMADOR DEL HUMIDIFICADOR!

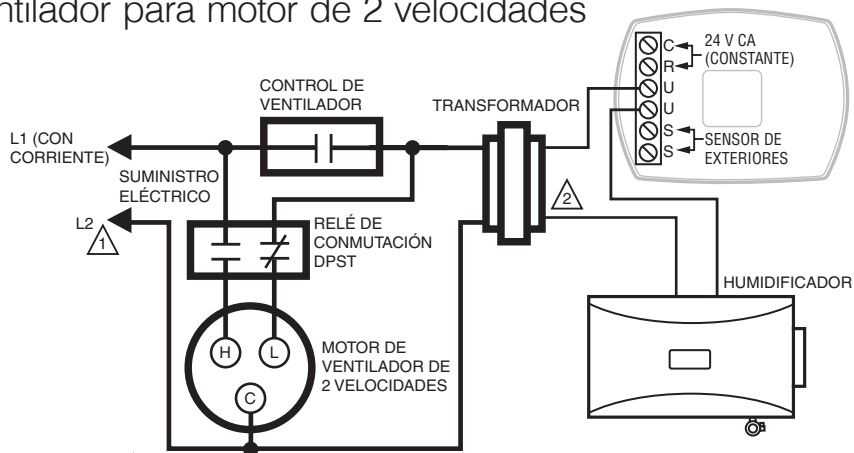
MS34569

Cableado del HumidiPRO con cortacorriente del ventilador



MS34570

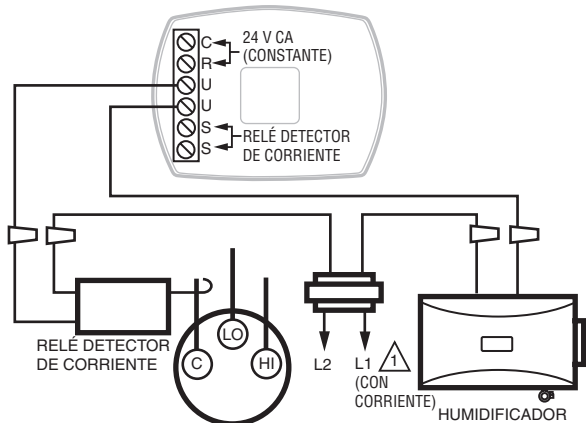
Cableado del HumidiPRO con cortacorriente del ventilador para motor de 2 velocidades



1 PROPORCIONE LOS MEDIOS DE DESCONEXIÓN Y DE PROTECCIÓN CONTRA SOBRECARGAS SEGÚN SE REQUIERA.

2 CABLEADO DE 24 V CA

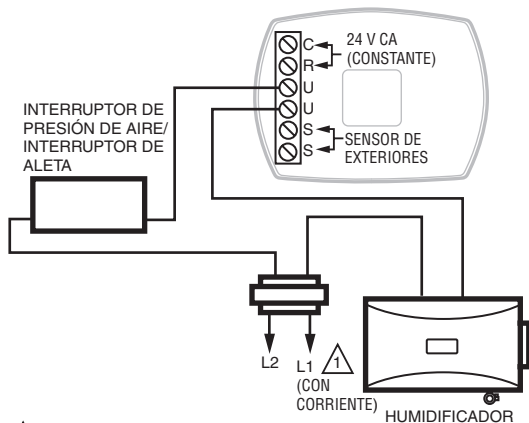
Cableado del HumidiPRO con relé detector de corriente



 PROPORCIONE LOS MEDIOS DE DESCONEXIÓN Y DE PROTECCIÓN CONTRA SOBRECARGAS SEGÚN SE REQUIERA.

MS34572

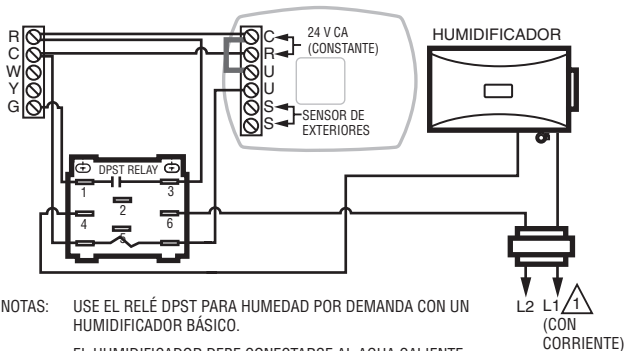
Cableado del HumidiPRO con interruptor de aleta/presión



 PROPORCIONE LOS MEDIOS DE DESCONEXIÓN Y DE PROTECCIÓN CONTRA SOBRECARGAS SEGÚN SE REQUIERA.

MS34573

Cableado del HumidiPRO a FORZAR ACTIVACIÓN DE VENTILADOR (Humidificador básico)



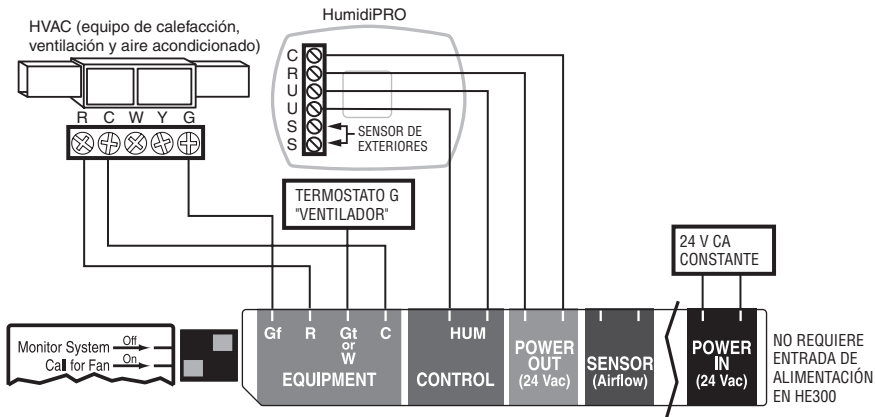
NOTAS: USE EL RELÉ DPST PARA HUMEDAD POR DEMANDA CON UN HUMIDIFICADOR BÁSICO.

EL HUMIDIFICADOR DEBE CONECTARSE AL AGUA CALIENTE CUANDO IMPULSA AL VENTILADOR.

LOS HUMIDIFICADORES AVANZADOS DE HONEYWELL NO NECESITAN UN RELÉ PARA IMPULSAR EL VENTILADOR.

MS34574

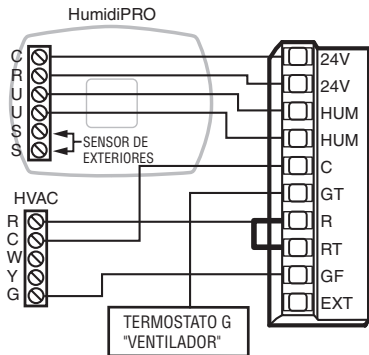
Cómo cablear HumidiPRO al humidificador avanzado TrueEASE con un cortacorriente del ventilador (HE150/HE250/HE300)



NOTA: CONSULTE LA GUÍA DE INSTALACIÓN TrueEASE PARA LA INFORMACIÓN DETALLADA DEL CABLEADO.

MS34577

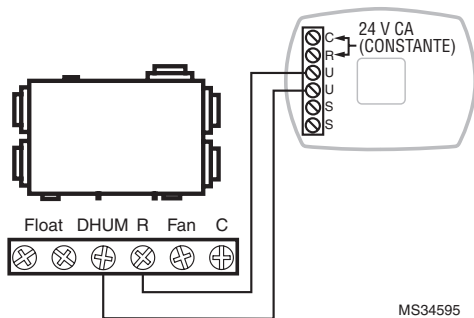
Cableado del HumidiPRO al humidificador avanzado TrueSTEAM



NOTA: CONSULTE LA GUÍA DE INSTALACIÓN TrueSTEAM PARA LA INFORMACIÓN DETALLADA DEL CABLEADO.

MS34576

Cableado del HumidiPRO al deshumidificador



NOTA:

Float = Flotador

DHUM = DHUM

Fan = Ventilador

Montaje del sensor de exteriores

(No se requiere si la protección de la ventana no se necesita)

Ubicación

Instale el sensor en un sitio donde:

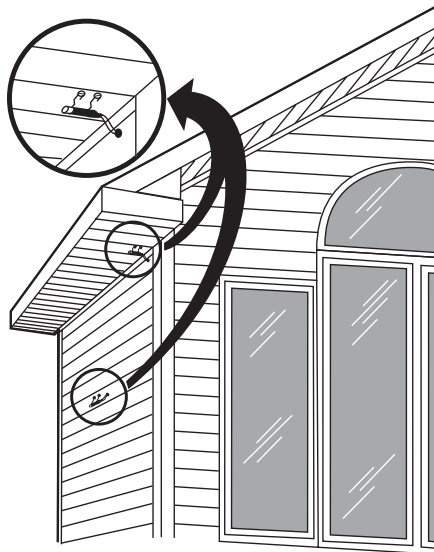
- el termostato no pueda ser manipulado.
- exista buena circulación de aire.
- la superficie sea plana.
- la distancia del cable entre el sensor y el humidistato sea menor de 200 pies (60 m).
- pueda medir la temperatura ambiente exterior verdadera.

NO instale el sensor:

- bajo luz solar directa.
- en sitios donde pueda quedar cubierto por nieve, hielo o desechos.
- donde sople aire caliente o frío sobre el sensor. (Por ejemplo, la línea de descarga de una unidad compresora externa, el conducto de ventilación o ventilador puede ocasionar lecturas de temperatura incorrectas.)

Pasos para instalar el sensor:

1. Retire el sensor del sujetador de montaje.
2. Marque el área en la ubicación seleccionada para montar el sujetador de montaje del sensor.
3. Monte el sujetador. La imagen de la derecha muestra las ubicaciones del sensor exterior.



M7514A

Cableado del sensor

Precaución

Riesgo de interferencia eléctrica (ruido). Puede provocar un funcionamiento errático del sistema.

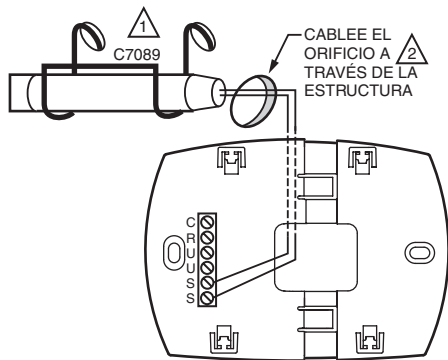
- Mantenga el cableado por lo menos a un pie (30 cm) de distancia de grandes cargas inductivas, como motores, arrancadores de línea, balastos de iluminación y grandes paneles de distribución de alimentación. Utilice cable blindado para reducir la interferencia cuando no se pueda reencaminar el cableado.
- Asegúrese de que los alambres tengan un cable por separado del cable del termostato.
- No tienda el cableado del sensor de temperatura junto al cableado de alimentación para edificios, junto a contactores de control o cerca de circuitos de reducción gradual de luz, motores eléctricos o equipos de soldadura.
- Evite las conexiones de cableado deficientes.
- Evite que la tierra física al edificio esté intermitente o que no haya tierra física.

Precaución: Peligro de descarga eléctrica. Puede causar descargas eléctricas o daños al equipo.

Desconecte el suministro eléctrico antes de conectar los cables.

El cableado debe cumplir con los códigos, ordenanzas y reglamentos aplicables:

1. Cablee el sensor exterior C7089 a los terminales S en el control de humedad. Si el cable guía incluido con el C7089 no es suficientemente largo (60 pulgadas [1.5 m]), pase un cable por un orificio en la ubicación del C7089.
 - Se recomienda utilizar cable blindado para termostato calibre 18 con código de color. Si desea un ejemplo de un cableado general del C7089, consulte la figura de la derecha.
 - Se puede usar cableado flexible.
2. Monte el C7089 en su sujetador de montaje.



1 UTILICE LOS MEDIOS DE MONTAJE APROPIADOS PARA EL TIPO DE ESTRUCTURA.

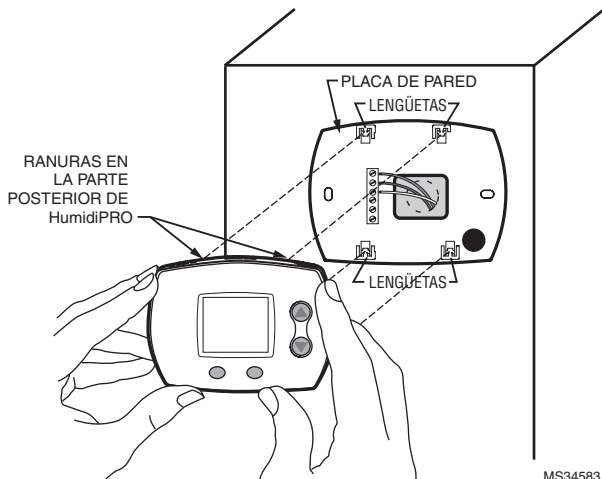
2 TAPÉ EL ORIFICIO DE CABLEADO CON MASILLA QUE NO SE ENDUREZCA.

MS34611

3. Conecte el orificio de cableado con masilla que no se endurezca.

Instale el control de humedad

Alinee las 4 lengüetas de la placa de montaje con las ranuras de la parte posterior del control y presione suavemente hasta que el control calce en su lugar.



MS34583

Verificación

Permita que el sensor exterior C7089 absorba el aire exterior durante un mínimo de veinte minutos antes de tomar la lectura.

Con un termómetro preciso (± 1 °F [0.5 °C]) mida la temperatura en la ubicación del sensor, permitiendo que el termómetro se estabilice antes de la lectura.

Luego verifique la precisión del sensor haciendo la Prueba n.º 20 del instalador. Esto le mostrará la temperatura exterior.

Calibración

El sensor exterior C7089 está calibrado en la fábrica. Sin embargo, usted puede desplazar la lectura del sensor de exteriores utilizando la Función 35 de la configuración del instalador.

¡Ya ha finalizado la instalación de su controlador de humedad!

Este control de humedad ha sido preprogramado a las configuraciones ideales para la mayoría de los hogares.

Si instaló este control con un sensor de exteriores, el control funcionará en el MODO AUTOMÁTICO, el cual ajusta automáticamente la humedad para contribuir a evitar la condensación en las ventanas.

Si instaló este control sin un sensor de exteriores, el control funcionará en el MODO MANUAL, el cual proporciona el control simple y directo del humidificador al propietario residencial (únicamente en la configuración de % de HR).

Configuración avanzada del instalador

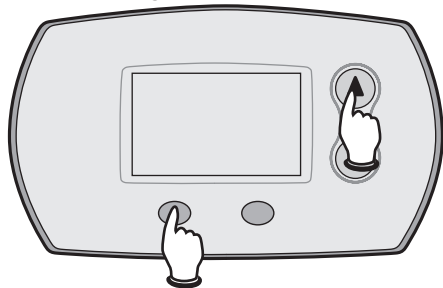
Consulte la página siguiente para personalizar esta función.

Prueba del sistema para el instalador

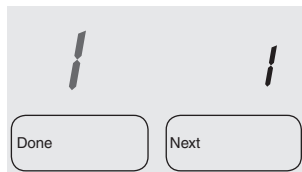
Si no se requiere la configuración avanzada del instalador, salte a la “Prueba/Revisión del sistema para el instalador” en la página 27.

Configuración avanzada del instalador

Honeywell ya ha programado este control para que trabaje adecuadamente en la mayoría de las aplicaciones. Sin embargo, puede ajustar las configuraciones avanzadas siguiendo los pasos que se indican a continuación.



Para comenzar, presione y mantenga presionado los botones ▲ y **LIGHT** (luz) hasta que la pantalla cambie.



M29387A

Presione ▲ o ▼ para cambiar la configuración.

Presione **NEXT** (siguiente) para avanzar hasta la siguiente función.

Presione **DONE** (terminado) para salir y guardar los cambios.

Número de la función	Configuración	
	Mostrada	Descripción
1 Tipo de sistema	1	Humidificador
	2	Deshumidificador
4 Modo de control El Modo automático está predeterminado cuando se detecta el sensor de exteriores. El Modo manual está predeterminado cuando NO se detecta un sensor de exteriores.	1	Automático
	2	Manual
5 Modo automático% HR (Hum) (Hum) Este es el punto de ajuste de la humedad (% HR) en el cual el control funcionará. Los propietarios residenciales no cambian esto y solo necesitarán establecer la configuración adecuada de protección de ventanas.	Rango: 20 %-60 % Opción predefinida = 35 %	
11 Refuerzo de la humedad en el modo automático Aumenta el % de HR predeterminado (n.º 5) cuando el usuario configura la protección de las ventanas a 11.	0	APAGADO
	5 %	5 %
	10 %	10 %
17 Apagado de seguridad por temperatura alta en el modo automático Apaga el humidificador cuando la temperatura exterior es mayor que la configuración seleccionada.	Rango: 40 ° - 90 ° 0 = APAGADO Opción predefinida = 65 °	

Número de la función	Configuración	
	Mostrada	Descripción
19 Límite de humidificación alto	Rango: 10 % - 90 % Opción predefinida = 60 %	
20 Límite de humidificación bajo	Rango: 10 % - 90 % Opción predefinida = 10 %	
21 Límite de deshumidificación bajo	Rango: 10 % - 90 % Opción predefinida = 80 %	
23 Límite de deshumidificación bajo	Rango: 10 % - 90 % Opción predefinida = 40 %	
25 Bloqueo del deshumidificador del compresor	De 0 a 5 minutos Configuración predefinida = 0 minutos (APAGADO).	
30 Calibración del sensor de humedad Esta función compensará la humedad detectada en interiores.	Rango: -9 % a +9 % Configuración predefinida = 0 (Muestra el % de HR real)	
35 Calibración del sensor de temperatura para exteriores Esta función compensará la temperatura detectada en exteriores si fuese necesario.	Rango: -9 ° a +9 ° Configuración predefinida = 0 (Muestra la temp. real exterior)	

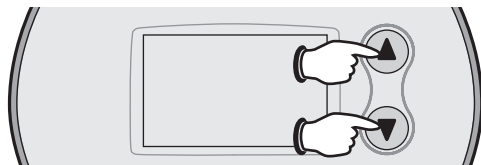
Índice de escarcha HumidiPRO™ de Honeywell

		Temperatura exterior					
		-10°F	0°F	10°F	20°F	30°F	40°F
Índice de escarcha	1	10 10	10 10	11 11	17 17	25 25	35 36
	2	10 10	10 10	15 15	21 21	29 29	35 39
	3	10 10	14 14	19 19	26 26	34 34	35 46
	4	15 15	19 19	25 25	32 32	35 39	35 52
	5	21 21	26 26	32 32	35 38	35 48	35 58
	6	29 29	34 34	35 39	35 48	35 56	35 60
	7	35 39	35 46	35 52	35 58	35 60	35 60
	8*	35 56	35 60	35 60	35 60	35 60	35 60
	9	35 60	35 60	35 60	35 60	35 60	35 60
	10	35 60	35 60	35 60	35 60	35 60	35 60

*Los números negros muestran la humedad más alta permitida cuando se selecciona el % de HR permitido (35 %).

NOTA: Los números grises más pequeños muestran la humedad más alta permitida cuando se selecciona el % de HR permitido (60%).

Prueba/Revisión del sistema para el instalador



Número de la prueba

Estado del sistema



M29388A

Para comenzar, presione y mantenga presionado los botones ▲ y ▼ hasta que la pantalla cambie.

Presione ▲ / ▼ para encender/apagar el sistema.

Presione **NEXT** (siguiente) para avanzar hasta la prueba siguiente.

Presione **DONE** (terminado) para finalizar la prueba del sistema.

Número de la función	Configuración	
	Número	Descripción
10 Prueba del sistema	0	OFF (apagado)
	1	ON (encendido)
20 Ver la temperatura exterior	Muestra la temperatura exterior	

Prueba/Revisión del sistema para el instalador (continuación)

NOTA: La mayoría de los humidificadores requieren flujo de aire en el sistema para poder funcionar. Encienda el ventilador del sistema cuando pruebe el funcionamiento del humidificador.

Precaución: Si el humidificador está activo, la protección del compresor queda derivada durante la prueba; evite apagar y encender el compresor demasiado rápidamente.

NOTA: Algunos deshumidificadores pueden ya tener integrada la protección del compresor.

Especificaciones

Rangos de humedad:

Humidificación

- Opción predefinida: 10 % a 60 %
- Rango total disponible: 10 % a 90 %

Deshumidificación

- Opción predefinida: 40 % a 80 %
- Rango total disponible: 10 % a 90 %

Temperatura ambiente de funcionamiento

- 32 ° a 120 °F (0 ° a 48.9 °C).

Humedad relativa de funcionamiento

- 5 % al 90 % (sin condensación)

Localización y solución de problemas

Si tiene dificultades con el control de la humedad, intente seguir las sugerencias que se indican a continuación. La mayoría de los problemas pueden solucionarse de manera fácil y rápida.

La pantalla está en blanco

- Revise el interruptor de circuito y, si es necesario, reinicielo.
- Revise si hay electricidad de 24V CA entre R y C en la placa de pared.
- Asegúrese de que el interruptor de energía del sistema de calefacción y refrigeración esté encendido.
- Asegúrese de que la puerta del sistema de calefacción esté bien cerrada.

Las configuraciones de humedad no cambian

Asegúrese de que la humedad esté configurada en un rango aceptable:

- Revise el rango actual de configuraciones de parada en la Configuraciones del instalador.
- Modo automático: 1–10 (hasta 11 si el Refuerzo de la humedad está habilitado)
- Modo manual: 20 %–60 %
- Modo de deshumidificación: 40 %–80 %

Localización y solución de problemas (continuación)

El humidificador/ deshumidificador no se enciende

- Cerciórese de que el ventilador del equipo esté funcionando.
- Cerciórese de que la configuración del sistema esté en ON (encendido).
- Cerciórese de que haya suministro eléctrico hacia el humidificador o deshumidificador.
- Revise la tabla de humedad para comprobar si la Protección de ventanas está impidiendo la orden de humedad. (Modo de humidificación automática únicamente.)
- Revise si el bloqueo del compresor está habilitado.
- Revise si el apagado por alta temperatura está habilitado (ISU-17) y si la temperatura exterior es inferior a la temperatura de apagado seleccionada.

Asistencia al cliente

Para obtener asistencia relacionada con este producto, visite **yourhome.honeywell.com**.

O comuníquese con el número gratuito del Servicio al cliente de Honeywell al **1-800-468-1502**.

Garantía limitada de cinco años

Honeywell garantiza este producto, a excepción de las bombillas, contra cualquier defecto de fabricación o de los materiales, por el término de cinco (5) años a partir de la fecha de compra por parte del consumidor, en condiciones normales de uso y servicio. Si en cualquier momento, durante el período de vigencia de la garantía, se determina que el producto está defectuoso o no funciona adecuadamente, Honeywell lo reparará o lo reemplazará (a elección de Honeywell) en un período razonable de tiempo. Si el producto presenta defectos, (i) devuélvalo, con la factura de venta o cualquier otro comprobante con la fecha de compra, al lugar donde lo compró, o (ii) empáquelo cuidadosamente junto con la prueba de compra que incluya la fecha de compra) y una descripción breve del defecto y envíelo con el franqueo prepago a la siguiente dirección: Honeywell Return Goods, Dock 4 MN10-3860, 1885 Douglas Dr. N., Golden Valley, MN 55422.

Esta garantía no cubre los gastos de remoción ni de reinstalación. Esta garantía no se aplicará si Honeywell demuestra que el defecto o funcionamiento inadecuado fue causado por daños que se produjeron mientras el producto estuvo en posesión de un consumidor.

La única responsabilidad de Honeywell será la de reparar o reemplazar el producto dentro de los términos mencionados anteriormente. HONEYWELL NO SERÁ RESPONSABLE POR LA PÉRDIDA NI EL DAÑO DE NINGÚN TIPO, QUE INCLUYE CUALQUIER DAÑO INCIDENTAL O CONSECUENTE QUE RESULTE, DIRECTA O INDIRECTAMENTE, DE CUALQUIER INCUMPLIMIENTO DE CUALQUIER GARANTÍA, EXPRESA O IMPLÍCITA, O DE CUALQUIER OTRA FALLA DE ESTE PRODUCTO. Algunos estados no permiten la exclusión o limitación de los daños fortuitos o resultantes, por lo que esta limitación podría no aplicarse en su caso.

ESTA GARANTÍA ES LA ÚNICA GARANTÍA EXPRESA QUE HONEYWELL REALIZA SOBRE ESTE PRODUCTO. LA DURACIÓN DE CUALQUIERA DE LAS GARANTÍAS IMPLÍCITAS, INCLUIDAS LAS GARANTÍAS DE APTITUD E IDONEIDAD PARA UN FIN DETERMINADO, QUEDA, POR EL PRESENTE, LIMITADA A LA DURACIÓN DE CINCO AÑOS DE ESTA GARANTÍA. Algunos estados no permiten limitaciones en relación a la duración de una garantía implícita, de manera tal que la limitación anterior puede no aplicarse en su caso. Esta garantía le otorga derechos legales específicos, pero es posible que usted goce de otros derechos que varían de un estado a otro. Si tiene preguntas acerca de esta garantía, escriba a Honeywell Customer Relations, Honeywell, 1985 Douglas Dr. N MN10-1461, Golden Valley, MN 55422.

Honeywell

Automatización y control desenlace

Honeywell International Inc.

1985 Douglas Drive North

Golden Valley, MN 55422

yourhome.honeywell.com

© Marca Registrada en los Estados Unidos

© 2013 Honeywell Internacional Inc.

69-2794EFS—03 M.S. Rev. 05-13

Impreso en Estados Unidos



69-2794EFS-03